

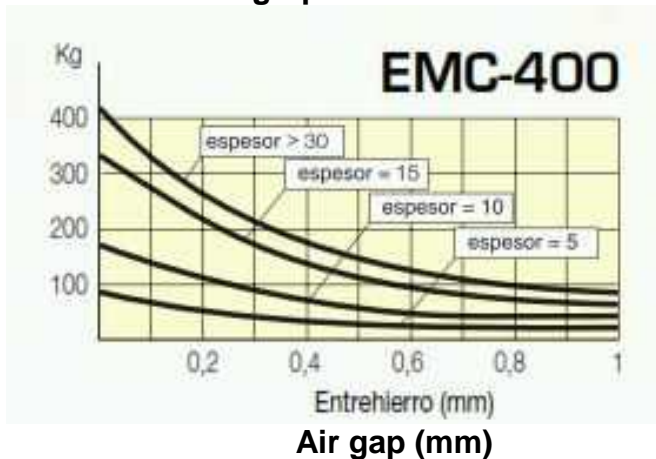


	Ref	06444
	Machine	LIFTING MAGNET
	Brand	SELTHER
	Model	EMC-400
		For use with flat pieces

Main Technical Data

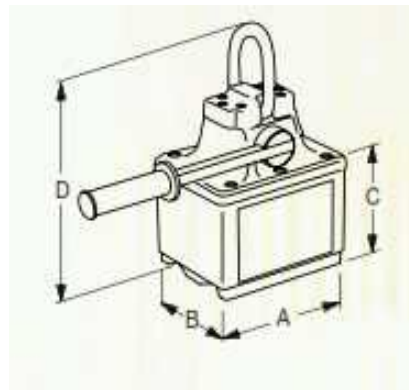
- Load for flat pieces 400 kg
- Minimum thickness of the load 25 mm
- Detachment force 1.250 daN
- Weight 33 kg
- Magnetization and demagnetization by means the turn to 180° of the lever.
- Lever with block safety.
- Safety coefficient of 3.
- Breakout force is three times greater of the utilization force.

Thicknesses graphic:



Dimensions:

A: 210 mm B: 160 mm
 C: 155 mm D: 340 mm



(Characteristics based according to technical data)