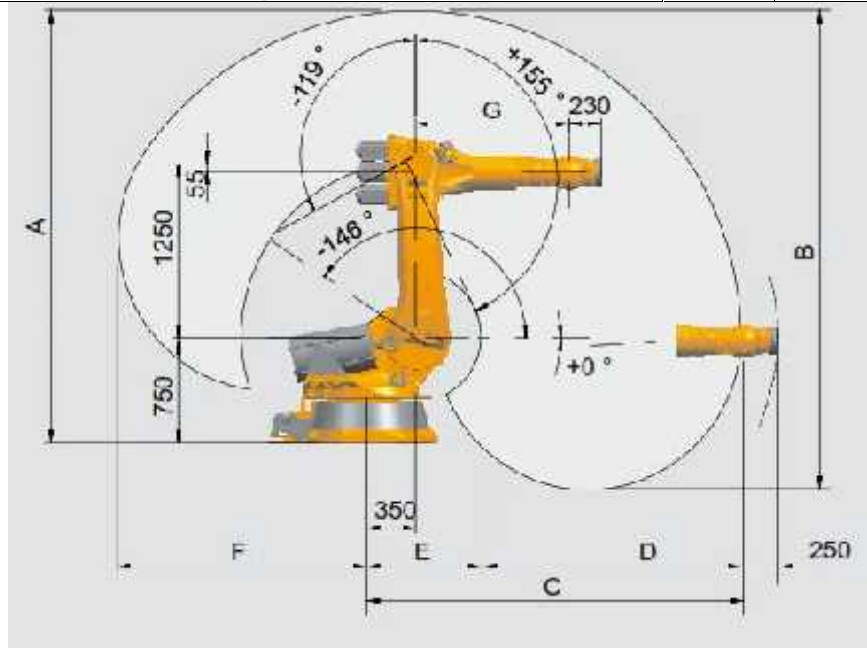




Ref	06814
Machine	INDUSTRIAL ROBOT
Brand	KUKA
Model	KR 210-2
Series	2000

-Maximum reach	2.700 mm
-Rated payload	210 kg
-Maximum total load	610 kg
-Axes number	6
-Mounting position	Shelf-mounted, floor
-Position repeatability	± 0,06 mm
-Controller	KR C2
-Weight (whitout controller)	approx. 1.267 kg
-Robot footprint	1.006 x 1.006 mm
-Protection	IP 65
-Noise level	<75 dB
-Connection	7,3 KVA

- AXES	A1	A2	A3	A4	A5	A6
- Movement range	± 185°	0/-146°	+155° / -119°	± 350°	± 125°	± 350°
- Speed	86°/s	84°/s	84°/s	100°/s	110°/s	184°/s



A: 3.100 mm
B: 3.450 mm
C: 2.700 mm
D: 1.875 mm
E: 825 mm
F: 1.788 mm
G: 1.100 mm
Volume: 55,0 m³

(Characteristics based according to technical data)